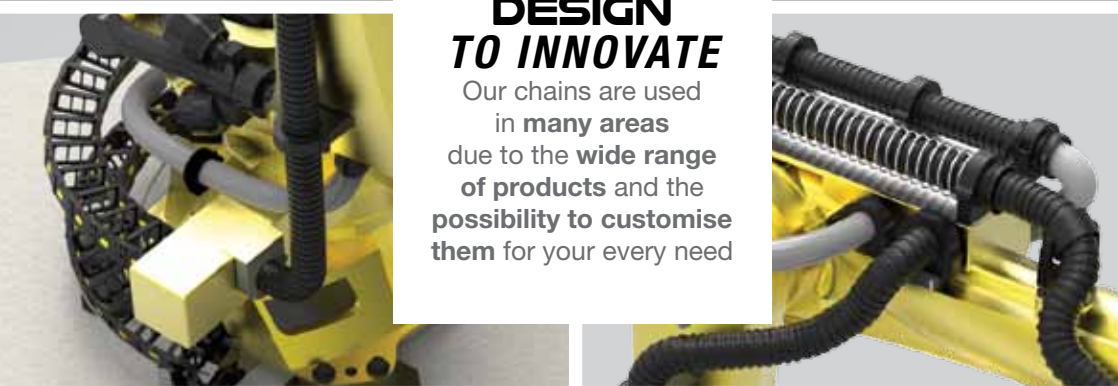




**DESIGN
TO INNOVATE**

Our chains are used
in many areas
due to the wide range
of products and the
possibility to customise
them for your every need



Brevetti Stendalto S.p.A.
20900 Monza
Viale Giovanni Battista Stucchi 66/8
Tel. +39 039 20.49.01
Fax +39 039 83.42.50
E-mail: info@brevettistendalto.it

WWW.BREVETTISTENDALTO.COM



MKTEN000012 - © COPYRIGHT BREVETTI STENDALTO - 2017 - EN



**MULTI
Flex**

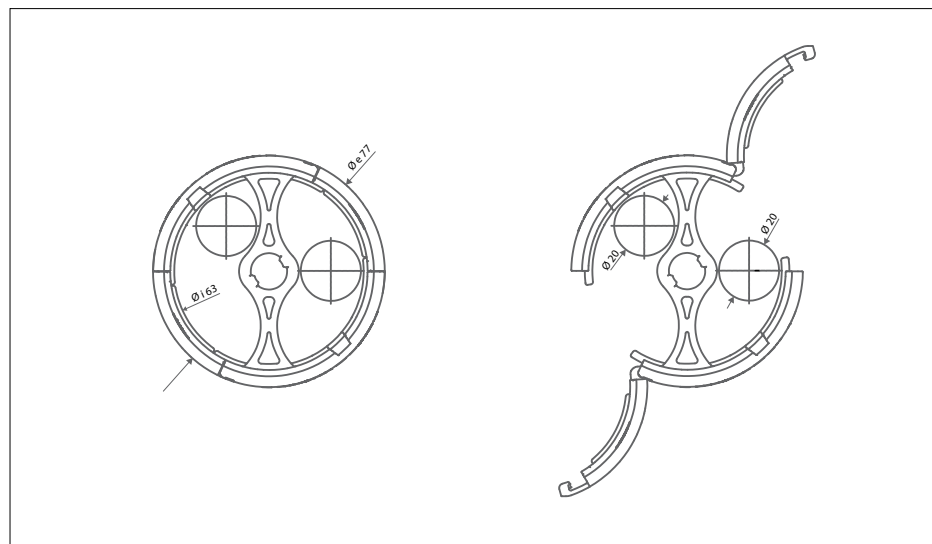
DYNAMIC CABLE PROTECTION

MULTI-DIMENSIONAL MOVEMENT

Multiflex chain has been engineered for multi-dimensional movements with special focus on robot applications and new generation machining centers.

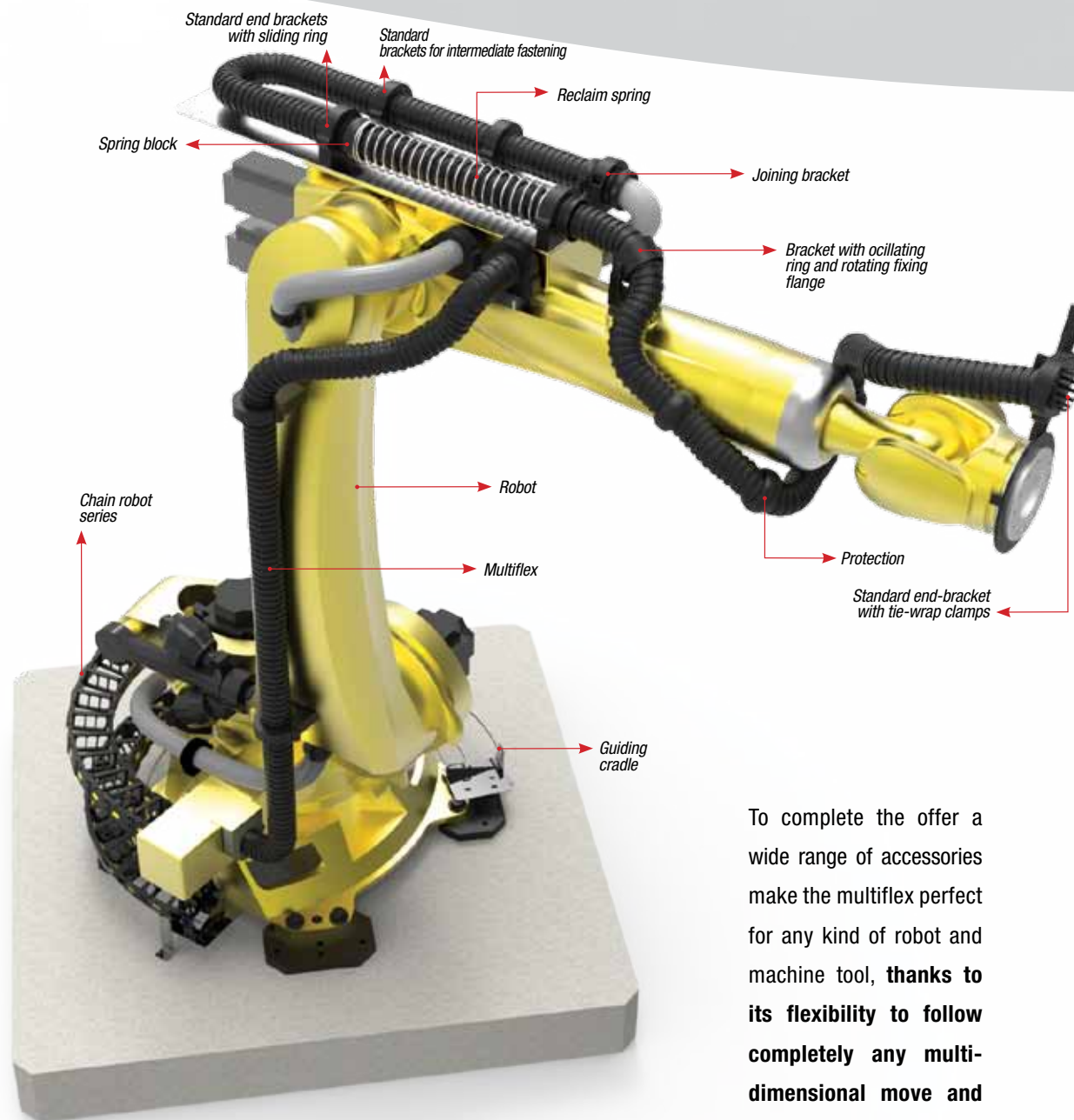
This chain completes the range of products included in Brevetti Stendalto's robot series and offer to the option to dress completely the robots trough a single supplier.

The design is extremely robust and able to withstand the harshest and demanding application. The chain is completely closed but easy to open and easy to wire thanks to the covers that can be simply removed by means of a screwdriver. Every part of the chain can be internally inspected by opening the covers at any point. Multiflex chain can also be easily shortenable and easily extendable on site without any specific tool.



Ø Inner mm	Ø Outer mm	Min. radius mm	Pitch mm	N. Pitches/m	Kg/m	Twist angle	Cable housing
63 mm	77 mm	100 mm	18.5	54	1,6	~±10° *	max Ø 20 mm

* Defined as the single links



MULTIFLEX'S COMPONENTS



BRACKET WITH OCILLATING RING AND ROTATING FIXING FLANGE



STANDARD END-BRACKET WITH METALLIC CLOSURE REINFORCED



STANDARD END-BRACKET WITH METALLIC CLOSURE AND TIEWRAP CLAMP



BRACKET WITH RUBBER, SWITCH AND RING FLANGE



STANDARD END-BRACKET WITH PLASTIC CLOSURE



STANDARD END-BRACKET WITH PLASTIC CLOSURE AND TIEWRAP CLAMP



KIT WITH HOLE PATTERN EXAMPLE



RECLAIM SPRING



JOINING BRACKET



PROTECTION

To complete the offer a wide range of accessories make the multiflex perfect for any kind of robot and machine tool, thanks to its flexibility to follow completely any multi-dimensional move and torsion.